

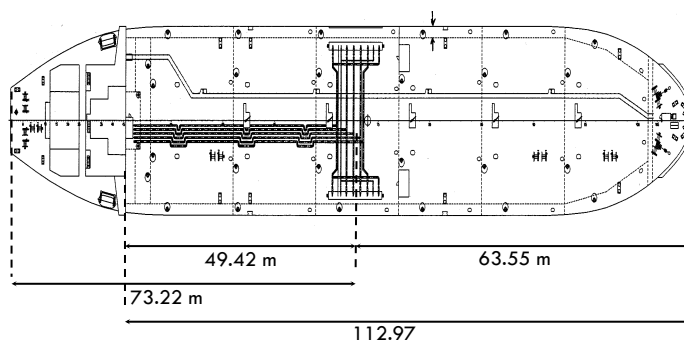
NAME : WICKY SPIRIT
TYPE : Oil/Chemical Tanker
TYPE OF HULL : Double Hull
OWNER : McKeil Tankers Limited, Ontario (Canada)
FLAG : Canada
PORT OF REGISTRY : Toronto
BUILDER'S YARD : Gisan Tuzla Shipyard / Istanbul - Turkey
BUILT : 2008
TECHNICAL OPERATOR: ABC Maritime AG
LAST DRY DOCK: 20/02/19 (Singapore)

CALL SIGN : VBAJ
IMO NO. : 9404388
MMSI : 316041032
CLASS SOCIETY : DNV-GL
CLASS ID NUMBER : 30429
CLASS NOTATION : ✕1A1 Tanker for chemicals and oil products AP(1) CCO EO ESP Ice (1A) Inert
P&I CLUB : The Shipowners' Mutual Protection and Indemnity Association (Luxembourg)
GMDSS AREA : A1-A2-A3

DIMENSIONS & TONNAGE

LOA	136.77
LBP	130.40
GRT / REDUCED	8638/7039
NRT	4498
SUEZ TONNAGE	9499.16
MOULDED BREADTH	20.00
MOULDED DEPTH	10.90
KEEL TO MASTHEAD	37.70
LIGHT SHIP PARALLEL BODY	48.68
NORMAL BALLAST PARALLEL BODY	54.75
PARALLEL BODY AT SDWT	57.30

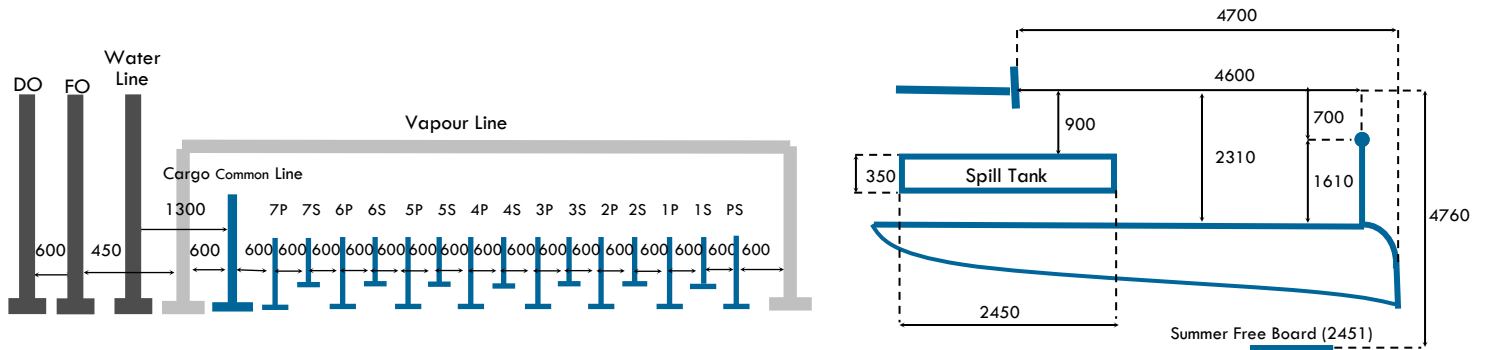
CONDITION	SUMMER	WINTER	TROPICAL	SBT
DWT	13945	13530.2	14360.4	6461
DISPLACEMENT	18281	17866.2	18696.4	10796
DRAFT	8.459	8.283	8.635	5.201
FREE BOARD	2.451	2.627	2.275	5.709
FWA (mm)	193			
AIR DRAFT (m)	29.24	29.41	29.07	
TPC	23.68	23.68	23.68 mt/cm	23.68
	mt/cm	mt/cm	cm	mt/cm
HEIGHT MANIFOLD ABOVE WATERLINE	4.751 m	4.927 m	4.575 m	



CARGO SYSTEM PARTICULARS

MAX RATE LOADING	1800 m3/h	NUMBER OF SEGREGATIONS	17
MAX RATE DISCHARGING	1750 m3/h	CARGO MANIFOLDS	1x4" + 14x6" + 2x12"
MAX ALLOW PRESSURE CARGO LINE	10 Bar	CARGO TANK'S COATING	Hempel Hempadur 15500
P/V - VALVES MAX VENTING CAPACITY	400 m3/h	CARGO HEATING	Phenolic epoxy
P/V - VALVE OPENING PRESSURE	200 mbar/-35 mbar	CARGO PUMPS	Heating Coils
P/V - VALVE VACUUM SETTING	+2000/- 350 mm WG	STRIPPING	14x 250 + 2x 80 m3/h
			N/A

MANIFOLDS ARRANGEMENT - in millimeters



TANKS' CAPACITIES

CARGO - 98%

Tank	1 P&S	2 P&S	3 P&S	4 P&S	5 P&S	6 P&S	7 P&S	P&S
Volume in m3	1405.3	2023.6	2657.5	2524.5	2524.5	1726	2194	468.2
Total	15'523.6							

Slop

BALLAST - 100%

FPK	1 P&S	2 P&S	3 P&S	4 P&S	5 P&S	6 P&S	7 P&S
Volume in m3	337.1	668.1	673.9	817.9	777.6	770.1	944.1
Total	5'516.3						

FUEL OIL TANKS CAPACITY VOLUME 98%

HFO SERVICE TK S	15.3
HFO SERVICE TK P	15.3
HFO SETTLING TK S	30.0
HFO STOR. TK 1 P	192.2
HFO STOR. TK 1 S	186.9
HFO LOW SULF. TK	90.3

DIESEL OIL TANKS CAPACITY VOLUME 98%

MDO TK P	37.6
MDO SERVICE TK 1 P	13.2
MDO SERVICE TK 2 P	12.2
MDO SETTLING TK P	15.1
MDO OVERFL. TK S	0.9

FRESH WATER TANKS CAPACITY VOLUME 100%

FW TANK P	72.8
FW TANK S	72.7

LUB OIL TANKS CAPACITY VOLUME 98%

ME LUBOIL TK S	12.2
LUB.OIL SUMP P	4.5
LUB.OIL SUMP S	4.4

TOTAL 530.0

79.0

145.5

21.1

ADDITIONAL INFORMATION

MAIN ENGINE + SHAFT GENERATOR(S)	Yanmar 2 x 2574 kW-620 rpm 6N330L-EN + Stamford 1 x 960 kW connected to port M/E
AUXILIARY ENGINES	3 x 500 kW Scania CV, 1800 rpm, DI1649M
EMERGENCY DIESEL GENERATOR	Sisu Diesel inc. 165 kW x 1800 rpm, model n°635 DSBG
PROPELLER	2 x Rolls Royce; Dia. 3.6m, Blades – 4pcs, Material: Nial-Bronze
BOW THRUSTER	1 x Shottel Elektric, 600 HP, 450 kW
MAIN AIR COMPRESSOR	Atlas Copco Type LT15-30SB (9.28L/S 30 Bar Max) x 3
BILGE WATER SEPARATOR	RWO GmbH Type: SKIT/S-DEB Capacity 2.5 m3/hr
AUXILIARY BOILER	Aalborg Type: V5-O-TF0-025 Capacity: 2500 kW x2
INCINERATOR PLANT	Sunflame Type: 05V-240 SAI (26L/hr)
SEWAGE TREATMENT UNIT	Hamworthy Type ST2A Flow 3.12 m3/ day
NITROGEN GAS SYSTEM	625 m3/h 95% purity
FW GENERATOR	1 x Alfa Laval JWP 26 C80, 15 m3/day
DECK CRANE	1 x MGM-HC 5 mT@16m (6m) manifold+ 1 x GD-KHK20/8 2mT@8m (3m) boat deck port
CARGO PUMPS / EMG.CARGO PUMPS	MARFLEX DEEPWELL COPs Type



Rue Perdtemps 1
CH-1260 Nyon Switzerland

Last update: 28/08/19

Tel: +41(0)22 365 71 00
Fax: +41(0)22 365 71 11

www.abcmaritime.ch
info@abcmaritime.ch

N.B.: all particulars are given in good faith, but are not guaranteed.

