



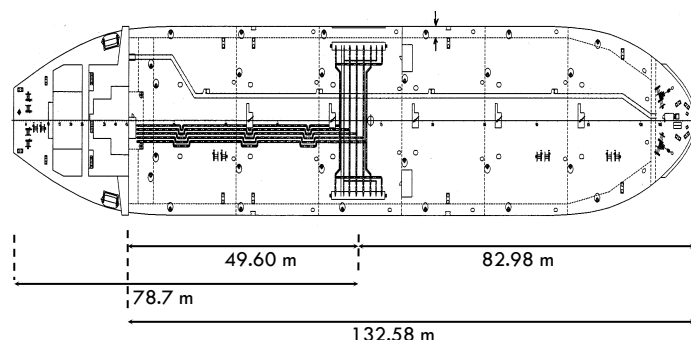
NAME : Atlantic Spirit
TYPE : Oil/Chemical Tanker
TYPE OF HULL : Double Hull
OWNER : McKeil International 2 Inc. (IMO: 6143704)
FLAG : Marshall Islands
PORT OF REGISTRY : Majuro
BUIDER'S YARD : Yang fan Shipyard - China
KEEL LAID/BUILT : May 2010 / Oct 2011
TECHNICAL OPERATOR : ABC Maritime AG
LAST DRY DOCK : 01.10.2016

CALL SIGN : V7A2857
HULL NO. : 2006
IMO NO. : 9580974
MMSI : 538008872
CLASS SOCIETY : Bureau Veritas
CLASS ID NUMBER : 21749S
CLASS NOTATION : I ✕HULL ✕MACH, Oil & Chemical tanker
 ESP; Unrestricted navigation; ✕ AUT-UMS (SS), ✕ SYS-NEQ-1
 (SS), MON-SHAFT, ICE CLASS IA, VCS, IG (SS)
P&I CLUB : North of England P & I Association Ltd
GMDSS AREA : A1-A2-A3

DIMENSIONS & TONNAGE

LOA	161.68
LBP	150.80
GRT	13239
NRT	6093
SUEZ TONNAGE	14141.58
MOULDED BREADTH	23
MOULDED DEPTH	12.4
KEEL TO MASTHEAD	41.855
LIGHT SHIP PARALLEL BODY	71.2
NORMAL BALLAST PARALLEL BODY	83.2
PARALLEL BODY AT SDWT	92

CONDITION	SUMMER	WINTER	TROPICAL	SBT
DWT	19131	18517	19721	9143
DISPLACEMENT	25695	25094	26298	15717
DRAFT	9.000	8.812	9.188	5.76
FREE BOARD	3.412	3.600	3.224	6.650
FWA (mm)	201	201	201	201
AIR DRAFT	32.885	33.043	32.667	36.095
TPC	32.01	31.90	32.15	30.18
HEIGHT MANIFOLD	7.362	7.550	7.174	10.600

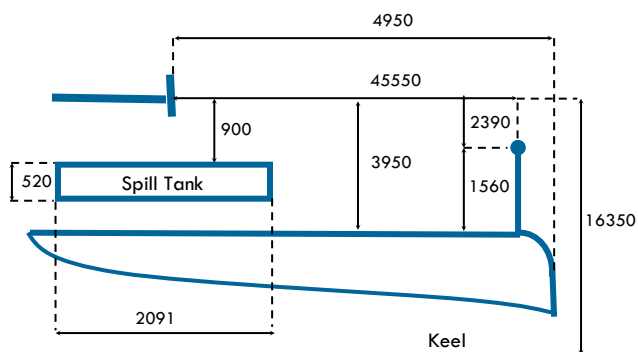
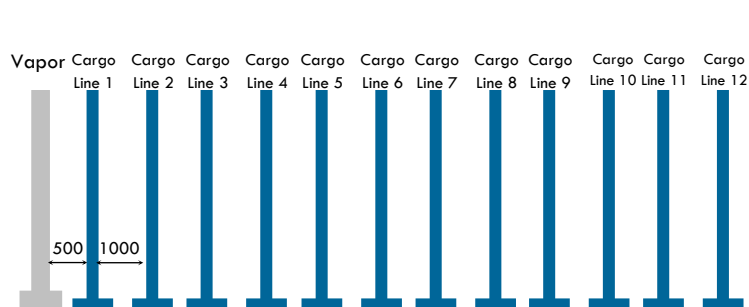


CARGO SYSTEM PARTICULARS

MAX RATE LOADING	2100 m3/h
MAX RATE DISCHARGING	2100 m3/h
MAX ALLOW PRESSURE CARGO LINE	10 bar
P/V - VALVES MAX VENTING CAPACITY	900 m3/h
P/V - VALVE OPENING PRESSURE	200 mbar
P/V - VALVE VACUUM SETTING	-35 mbar

NUMBER OF SEGREGATIONS	13
CARGO MANIFOLDS	13 x 250 mm + 1 x 100 mm
CARGO TANK'S COATING	Marine LINE
CARGO HEATING	Framo deck heat exchanger
CARGO PUMPS	12x300 + 2x150 + 1x75 m3/h
STRIPPING	N/A

MANIFOLDS ARRANGEMENT - in millimeters -



TANKS' CAPACITIES

CARGO - 98%

Tank	1P	1S	2P	2S	3P	3S	4P	4S	5P	5S	6P	6S
Volume in m3	1357.2	1360.1	1951.5	1953.2	1983.7	1989.9	1987.1	1984.7	1989.1	1993.1	1417.1	1424.6
Total	21391.3											

BALLAST-100%

14 x TANKS
9372.5

FUEL OIL TANKS CAPACITY VOLUME 98%

HFO STORAGE TK 1P	158.5
HFO STORAGE TK 1S	181.1
HFO STORAGE TK 2S	103.7
HFO STORAGE TK 3S	91.1
HFO SERVICE TK 1	46.6
HFO SETTling TK 1	42.2
HFO SERVICE TK 2	32.5
HFO SETTling TK 2	30.7
TOTAL	686.4

DIESEL OIL TANKS CAPACITY VOLUME 98%

GO STORAGE TK	37.4
GO SERVICE TK	18.9
GO SETTling TK	18.9
TOTAL	75.2

FRESH WATER TANKS CAPACITY VOLUME 100%

DOMESTIC FW TK	145.6
TECHNICAL FW TK P	52.1
TECHNICAL FW TK S	176.9
TECH. FW TK AFT	99.5
TOTAL	473.1

LUB OIL TANKS CAPACITY VOLUME 98%

ME LO STORAGE TK	12.3
ME LO RENOV TK	17.1
DG LO TK	9.0
CPP LO TK	3.6
GEAR BOX LO TK	3.6
ME LO SUMP TK	12.1
TOTAL	57.1

ADDITIONAL INFORMATION

MAIN ENGINE + SHAFT GENERATOR	1 x Mak 7M43C - 6300 kW @ 500 rpm + 1 x AEM 1500 kW @ 1800 rpm
AUXILIARY ENGINES	3 x 5H21/32 - 960 kW @ 900 rpm
EMERGENCY DIESEL GENERATOR	1 x Nordhavn - Meccalte ECO 38-ISN/4 - 150 kW @ 1800 rpm
PROPELLER	1 x CPP - 4 blades - Diameter 5400 mm
BOW THRUSTER	1 x Schottel - STT002CP - 800 kW @ 1770 rpm
MAIN AIR COMPRESSOR	1 x Sauer & Sohn WP45L - 62 m3/h - 30 bar @ 1770 rpm
BILGE WATER SEPARATOR	RWO - SKITS DEB-SPS 1.8 - Capacity 1.8 m3/h
AUXILIARY BOILER	1 x Saacke Qingdao - FMB-VM-14/7 - Heating capacity 7600 kW
INCINERATOR PLANT	TeamTec OG 120C - 22 l/h
SEWAGE TREATMENT UNIT	Hamworthy St-2A - 3.2 m3/day
INERT GAS SYSTEM	Nitrogen Generator - 2100 m3/h @ 95% N2 & 250 m3/h @ 99.9% N2
TOP UP GENERATOR	N/A



Rue Perdtemps 1
CH-1260 Nyon Switzerland

Last update: 12/02/20

Tel: +41(0)22 365 71 00
Fax: +41(0)22 365 71 11

www.abcmaritime.ch
info@abcmaritime.ch

N.B.: all particulars are given in good faith, but are not guaranteed.

