



NAME : ANUKET PEARL
TYPE : Oil/Chemical Tanker
TYPE OF HULL : Double Hull
OWNER : Anuket Pearl Shipping Ltd (IMO: 5562531)
FLAG : Malta
PORT OF REGISTRY : Valletta
BUILDER'S YARD : Qingdao - China
BUILT : 17 Dec 2010
TECHNICAL OPERATOR: ABC Maritime
LAST DRY DOCK: 03 Aug 2015

CALL SIGN / MMSI : 9HA2703

IMO NO. : 9395886

MMSI : 215338000

CLASS SOCIETY : Bureau Veritas

CLASS ID NUMBER : 11806K

CLASS NOTATION : I ✕ HULL ✕ MACH - Oil tanker ESP, Chemical tanker ESP - Unrestricted navigation ✕ AUT-CCS, ERS-S, DYNAPOS-AM/AT

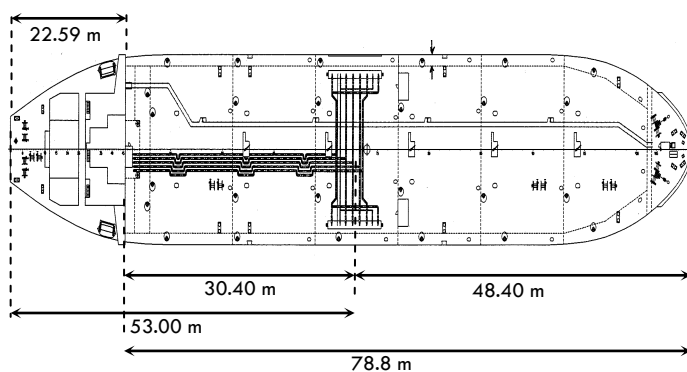
P&I CLUB : Gard

GMDSS AREA : A1-A2-A3

DIMENSIONS & TONNAGE

LOA	101.39
LBP	94.96
GRT	5581
NRT	2031
SUEZ TONNAGE	4359.31
MOULDED BREADTH	19.05
MOULDED DEPTH	10.5
KEEL TO MASTHEAD	33.4
LIGHT SHIP PARALLEL BODY	48.0
NORMAL BALLAST PARALLEL BODY	47.85
PARALLEL BODY AT SDWT	54.78

CONDITION	SUMMER	WINTER	TROPICAL	SBT
DWT	7277	7034	7517	3857
DISPLACEMENT	9945	9702	10194	6390
DRAFT	7.013	6.867	7.159	4.828
FREE BOARD	3.512	3.658	3.366	5.697
AIR DRAFT	26.39	26.53	26.24	28.57
HEIGHT MANIFOLD	5.20	5.35	5.06	7.39
FWA	149 mm			
TPC	16.6 mt/cm			

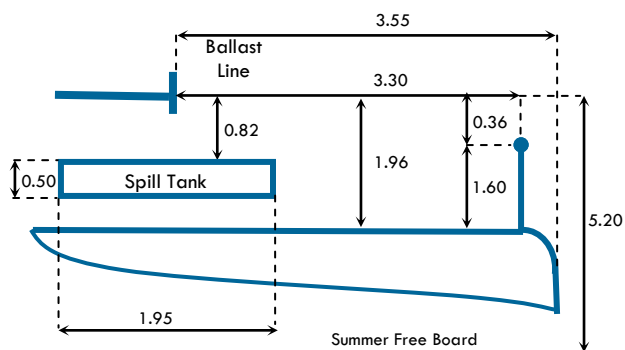
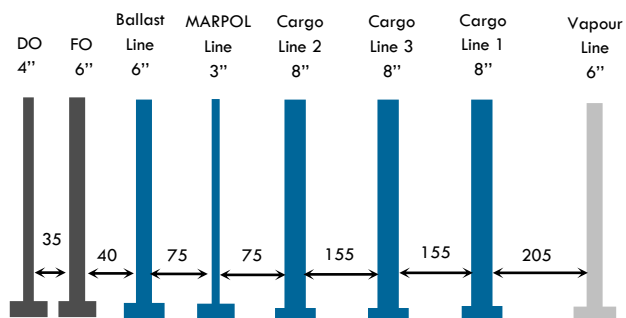


CARGO SYSTEM PARTICULARS

MAX RATE LOADING	2000 m ³ /h
MAX RATE DISCHARGING	1500 m ³ /h
MAX ALLOW PRESSURE CARGO LINE	10 Bar
P/V - VALVES MAX VENTING CAPACITY	10 x 500 m ³ /h
P/V - VALVE OPENING PRESSURE	+0.14 kg/cm ²
P/V - VALVE VACUUM SETTING	-0.035 kg/cm ²

NUMBER OF SEGREGATIONS	3
CARGO MANIFOLDS	3x200 mm
CARGO TANK'S COATING	Interline 904, max temp 65 deg.C
CARGO HEATING	Steam Heating Coils
CARGO + EMERGENCY PUMPS	3 x 500 m ³ /h
STRIPPING	1 x 50 m ³

MANIFOLDS ARRANGEMENT - in millimeters -



TANKS' CAPACITIES

CARGO - 98%

Tank	1 P&S	2 P&S	3 P&S	4 P&S	Slop P&S	Deck tank
Volume in m ³	1807.7	2131.5	2140.2	2128.8	827.8	98.78
Total	9134.78					

BALLAST - 100%

FPK	1 P&S	2 P&S	3 P&S	4 P&S	5 P&S
260.1	743.6	606.6	617.4	862.5	112.4
3202.60					

FUEL OIL TANKS CAPACITY VOLUME 98%

HFO OV P	12.52
HFO SETTling TK S	28.26
HFO SERVICE TK S	19.14
HFO STOR. TK 1P	67.24
HFO STOR. TK 1S	67.24
HFO STOR. TK 2P	21.29
HFO STOR. TK 2S	106.44
TOTAL	322.13

DIESEL OIL TANKS CAPACITY VOLUME 98%

DO OV TK P	4.46
DO SETTling TK S	19.90
DO SERVICE TK P	22.97
DO SERVICE TK S	15.31
DO STOR. TK P	119.38
DO STOR. TK S	119.38
TOTAL	301.40

FRESH WATER TANKS CAPACITY VOLUME 100%

FW TANK P	106.14
FW TANK S	106.14
FW COOL TK C	14.19
TOTAL	226.47

LUB OIL TANKS CAPACITY VOLUME 98%

LO TANK S	11.60
HYDRO. TK S	7.65
LO STORAGE TK C	4.88
TOTAL	24.13

ADDITIONAL INFORMATION

MAIN ENGINE + SHAFT GENERATOR(S)

MAK 9M25—4stroke MCR-2970 kW@ 750 rpm

AUXILIARY ENGINES

3 x CATERPILLAR CAT3412C, 500 kW@ 1500 rpm, 50 Hz + 1x Shaft Generator 500 kW

EMERGENCY DIESEL GENERATOR

Cummins 4L, 122 kW@1500 rpm

PROPELLER

CPP 4 blades, dia. 3600 mm, propeller speed 170rpm, Scana Volda CP68-105

BOW THRUSTER

1 x Bow Thruster, Wuhan TT1300G/BMS-CP, 680 BHP; 1 x Stern Thruster Rolls Royce/TT

MAIN AIR COMPRESSOR

2 x Sauer & Sohm WP33L, 31.5 m³/h, 3.0 MPa;

BILGE WATER SEPARATOR

RWO SKIT/S DEB 1.0, Capacity 1 m³/h

AUXILIARY BOILER

1 x Saacke Composite Steam Boiler, Model K/KD5.0 +0,8/7; Capacity 5 mT/h (oil fire) +

INCINERATOR PLANT

Nanjing Luzhou, Type OG-120C, Max.temp 1150 deg.C; FO consumption 12 kg/h; waste

SEWAGE TREATMENT UNIT

Hamworthy Lic, Biochemical & Gravity Type, Model ST 2A, Capacity 26 Persons

INERT GAS SYSTEM

N/A

TOP UP GENERATOR

N/A



Rue Perdtemps 1
CH-1260 Nyon Switzerland

Last update: 23/03/18

Tel: +41(0)22 365 71 00
Fax: +41(0)22 365 71 11

www.abcmaritime.ch
info@abcmaritime.ch

N.B.: all particulars are given in good faith, but are not guaranteed.

