



NAME : SAN BACCO

TYPE : Oil Tanker - Asphalt Carrier

TYPE OF HULL : Independent, insulated cargo tanks

OWNER : San Bacco Shipping Limited

FLAG : Malta

PORT OF REGISTRY : Valletta

BUILDER'S YARD : AVIC Dingheng Shipbuilding CO. Ltd.

BUILT : 30/04/15

TECHNICAL OPERATOR: ABC Maritime AG

LAST DRY DOCK: N/A

CALL SIGN : 9HA4021

HULL NO. : AD022

IMO NO. : 9753818

MMSI: 256831000

CLASS SOCIETY : Bureau Veritas

CLASS ID NUMBER : 27222R

CLASS NOTATION : I ✕ HULL ✕ MACH, Oil tanker-asphalt carrier, flash point > 60°C, Maximum cargo temperature ≤ 250°C, Chemical tanker, Ice Class ID, unrest. Nav., ✕AUT-UMS, AUT-PORT, AVM-APS, ✕SYS-NEQ-1, MON-SHAFT, Cleanship, Inwatersurvey, Cargocontrol, BWT, CPS(WBT)

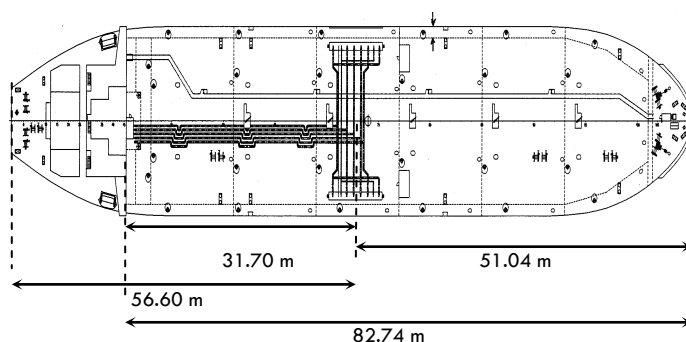
P&I CLUB : TBC

GMDSS AREA : A1+A2+A3 sea area

DIMENSIONS , TONNAGE & CONSUMPTIONS

LOA	108.00 m
LBP	103.50 m
GRT	4707
NRT	1412
SUEZ TONNAGE	
MOULDED BREADTH	17.20 m
MOULDED DEPTH	9.00 m
KEEL TO MASTHEAD	35.6 m
LIGHT SHIP PARALLEL BODY	36.093 m
NORMAL BALLAST PARALLEL BODY	46.794 m
PARALLEL BODY AT SDWT	56.967 m

CONDITION	SUMMER	WINTER	TROPICAL	SBT
DWT	4915.5	4715.8	5124.4	
DISPLACEMENT	8219.5	8015.8	8417.3	
DRAFT	6000	5875	6125	
FREE BOARD	3010	3135	2885	
FWA (mm)	125	124	125	
AIR DRAFT	29.6 m	29.725 m	29.475 m	
TPC	16.3	16.2	16.4	
HEIGHT MANIFOLD ABOVE WATERLINE	5110	5235	4985	

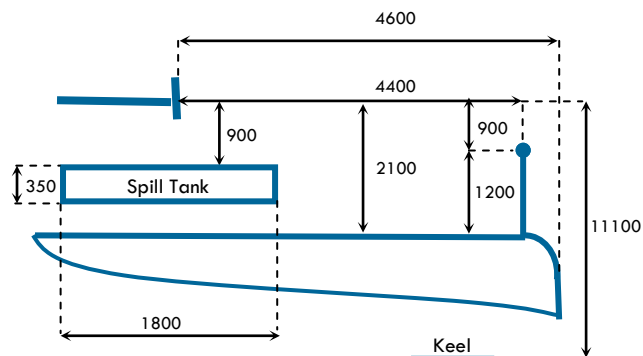
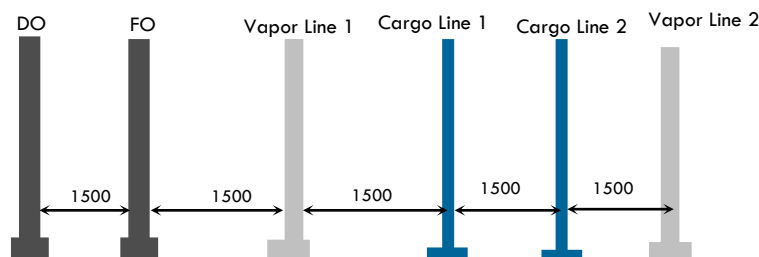


CARGO SYSTEM PARTICULARS

MAX RATE LOADING	900 m ³ /h
MAX RATE DISCHARGING	900 m ³ /h
MAX ALLOW PRESSURE CARGO LINE	1.6 Mpa
P/V - VALVES MAX VENTING CAPACITY	1097.9 m ³ /h
P/V - VALVE OPENING PRESSURE	0.14 BAR
P/V - VALVE VACUUM SETTING	-0.035 BAR

NUMBER OF SEGREGATIONS	2
CARGO MANIFOLDS	2
CARGO TANK'S COATING	No
CARGO HEATING	250 Deg.C
CARGO PUMPS	2*450 m ³ /h
STRIPPING	By C.P/P Freq. Control

MANIFOLDS ARRANGEMENT - in millimeters



TANKS' CAPACITIES

CARGO - 98%

Tank	1 P&S / 2 P&S	3 P&S / 4 P&S
Volume in m3	840.84 / 1215	1340.44 / 1309
Total	4845.39	

BALLAST - 100%

APT	FPT	1 P&S	2 P&S	3 P&S	4 P&S	D P&S
122.8	160	458.8	392	637	452.6	95.2
2318.52						

FUEL OIL TANKS CAPACITY VOLUME 98%

HFO STORAGE TK P	127
HFO STORAGE TK S	127
HFO SETTling TK S	17.25
HFO SERVICE TK S	17.25
HFO STORAGE 2P	62.72
HFO STORAGE 2S	47.92
TOTAL	399

DIESEL OIL TANKS CAPACITY VOLUME 98%

DO STORAGE TK P	15.58
DO STORAGE TK S	13.42
DO SERVICE TK 1	8.134
DO SERVICE TK 2	8.134
TOTAL	45

FRESH WATER TANKS CAPACITY VOLUME 100%

FW TK P	44.8
FW TK S	44.8
TOTAL	89.6

LUB OIL TANKS CAPACITY VOLUME 98%

DG LO TK P	4.0
ME LO TK P	4.7
HYDR. OIL TK S	
LO GEARBOX TK P	1.37
LO RESERVE TK S	13.1
TH OIL TK S	15.2
TOTAL	38.3

ADDITIONAL INFORMATION

MAIN ENGINE + SHAFT GENERATOR(S)	1 x Wartsila 6L32 x 3'000 KW x 750.0 r/min (including PTO 350KW)
AUXILIARY ENGINES	3 x Cummins K19-DM x 400 KW x 1800 r/min
EMERGENCY DIESEL GENERATOR	1 x Cummins 6BT5.9-GM100 x 80 KW x 1800 r/min
PROPELLER	CPP
BOW THRUSTER	1 x NCT110 x 300 KW x 1750 r/min
MAIN AIR COMPRESSOR	2 x 24 m ³ /h 3 Mpa
BILGE WATER SEPARATOR	1.5 m ³ /h
AUXILIARY BOILER	2TOH x Heatmaster x 1160KW 0.7Mpa 260/290 Deg.C+ 1EGH x Heatmaster x 600 KW 0.7 Mpa 140/180 Deg.C
INCINERATOR PLANT	Teamtec OG 120C x180'000 kcal/h, 200 L/chg
SEWAGE TREATMENT UNIT	2.5 m ³ /d
INERT GAS SYSTEM	
TOP UP GENERATOR	



Rue Perdtemps 1
CH-1260 Nyon Switzerland

Last update: 29/03/16

Tel: +41(0)22 365 71 00
Fax: +41(0)22 365 71 11

www.abcmaritime.ch
info@abcmaritime.ch

N.B.: all particulars are given in good faith, but are not guaranteed.

