



ADFINES SKY

Oil/Chemical Tanker

19'100 mt deadweight

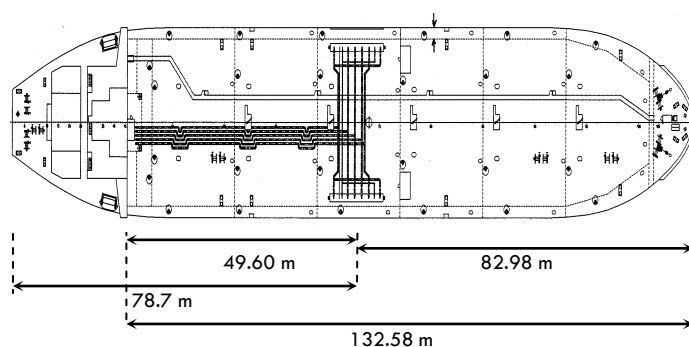
2011



NAME : ADFINES SKY	HULL NO. : 2007
TYPE : Oil/Chemical Tanker	IMO NO. : 9580986
TYPE OF HULL : Double Hull	MMSI : 256770000
OWNER : Icetank Twenty-Three Shipping Corp.	CLASS SOCIETY : Bureau Veritas
FLAG : Malta	CLASS ID NUMBER : 21961X
PORT OF REGISTRY : Valletta	CLASS NOTATION : I ✕HULL ✕MACH, Oil & Chemical tanker
BUIDER'S YARD : Yang fan Shipyard - China	ESP; Unrestricted navigation; ✕ AUT-UMS (SS), ✕ SYS-NEQ-1
BUILT : Nov 2011	(SS), MON-SHAFT, ICE CLASS IA, VCS, IG (SS)
TECHNICAL OPERATOR : ABC Maritime	P&I CLUB : North of England P & I Association Ltd
LAST DRY DOCK: N/A	GMDSS AREA : A1-A2-A3
CALL SIGN : 9HA2926	

DIMENSIONS , TONNAGE & CONSUMPTIONS

LOA	161.68	CONDITION	SUMMER	WINTER	TROPICAL	SBT
LBP	150.80	DWT	19100	18666	19909	9224
GRT	13239	DISPLACEMENT	25695	25261	26504	15819
NRT	6093	DRAFT	9.000	8.800	9.176	5.784
SUEZ TONNAGE	14141.58	FREE BOARD	3.412	3.600	3.224	6.616
MOULDED BREADTH	23	FWA (mm)	201	201	201	201
MOULDED DEPTH	12.4	AIR DRAFT	34.18	34.50	34.04	37.67
KEEL TO MASTHEAD	41.855	TPC	32.45	32.26	32.52	29.78
LIGHT SHIP PARALLEL BODY	71.2	HEIGHT MANIFOLD	7.350	7.550	7.174	10.566
NORMAL BALLAST PARALLEL BODY	83.2					
PARALLEL BODY AT SDWT	92					

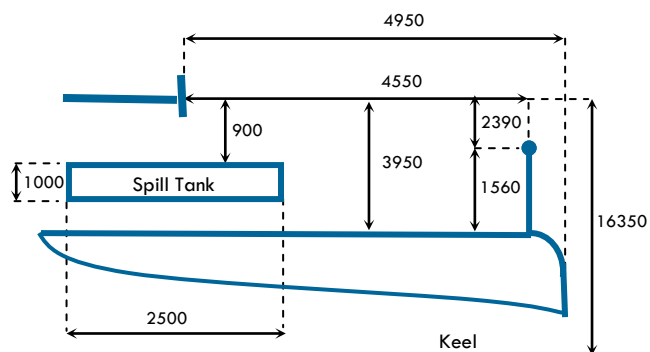
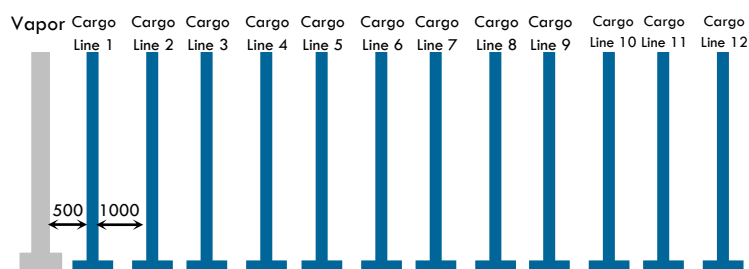


CARGO SYSTEM PARTICULARS

MAX RATE LOADING	2100 m ³ /h
MAX RATE DISCHARGING	2100 m ³ /h
MAX ALLOW PRESSURE CARGO LINE	10 bar
P/V - VALVES MAX VENTING CAPACITY	900 m ³ /h
P/V - VALVE OPENING PRESSURE	200 mbar
P/V - VALVE VACUUM SETTING	-35 mbar

NUMBER OF SEGREGATIONS	13
CARGO MANIFOLDS	13 x 250 mm + 1 x 100 mm
CARGO TANK'S COATING	Marine LINE
CARGO HEATING	Framo deck heat exchanger
CARGO PUMPS	12x300 + 2x150 + 1x75 m ³ /h
STRIPPING	N/A

MANIFOLDS ARRANGEMENT - in millimeters -



TANKS' CAPACITIES

CARGO - 98%

Tank	1P	1S	2P	2S	3P	3S	4P	4S	5P	5S	6P	6S
Volume in m ³	1362.7	1358.9	1954.3	1957.4	1991.9	1987.2	1988.3	1986.8	1997.3	1989.3	1421.3	1426.5
Total	21421.9											

BALLAST-100%

14 x TANKS
9372.8

FUEL OIL TANKS CAPACITY VOLUME 98%

HFO STORAGE TK 1P	158.5
HFO STORAGE TK 1S	181.1
HFO STORAGE TK 2S	103.7
HFO STORAGE TK 3S	91.1
HFO SERVICE TK 1	46.6
HFO SETTLING TK 1	42.2
HFO SERVICE TK 2	32.5
HFO SETTLING TK 2	30.7
TOTAL	686.4

DIESEL OIL TANKS CAPACITY VOLUME 98%

GO STORAGE TK	37.4
GO SERVICE TK	18.9
GO SETTLING TK	18.9
TOTAL	75.2

FRESH WATER TANKS CAPACITY VOLUME 100%

DOMESTIC FW TK	145.6
TECHNICAL FW TK P	52.1
TECHNICAL FW TK S	176.9
TECH. FW TK AFT	99.5
TOTAL	473.1

LUB OIL TANKS CAPACITY VOLUME 98%

ME LO STORAGE TK	12.3
ME LO RENOV TK	17.1
DG LO TK	9.0
CPP LO TK	3.6
GEAR BOX LO TK	3.6
ME LO SUMP TK	12.1
TOTAL	57.1

ADDITIONAL INFORMATION

MAIN ENGINE + SHAFT GENERATOR	1 x Mak 7M43C - 6300 kW @ 500 rpm + 1 x AEM 1500 kW @ 1800 rpm
AUXILIARY ENGINES	3 x 5H21/32 - 960 kW @ 900 rpm
EMERGENCY DIESEL GENERATOR	1 x Nordhavn - Meccalte ECO 38-ISN/4 - 150 kW @ 1800 rpm
PROPELLER	1 x CPP - 4 blades - Diameter 5400 mm
BOW THRUSTER	1 x Schottel - STT002CP - 800 kW @ 1770 rpm
MAIN AIR COMPRESSOR	1 x Sauer & Sohn WP45L - 62 m ³ /h - 30 bar @ 1800 rpm
BILGE WATER SEPARATOR	RWO - SKITS DEB-SPS 1.8 - Capacity 2.5 m ³ /h
AUXILIARY BOILER	1 x Saacke Qingdao - FMB-VM-14/7 - Heating capacity 7600 kW
INCINERATOR PLANT	TeamTec OG 120C - 22 l/h
SEWAGE TREATMENT UNIT	Hamworthy St-2A - 3.2 m ³ /day
INERT GAS SYSTEM	Nitrogen Generator - 2100 m ³ /h @ 95% N ₂ & 250 m ³ /h @ 99.9% N ₂
TOP UP GENERATOR	N/A



Rue Perdtemps 1
CH-1260 Nyon Switzerland

Last update: 04/06/15

Tel: +41(0)22 365 71 00
Fax: +41(0)22 365 71 11

www.abcmaritime.ch
info@abcmaritime.ch

N.B.: all particulars are given in good faith, but are not guaranteed.

